



Strainer Type CSF DN015 - 300

Designation	Material
Body	see table
Flange	see table
Filter	1.4401



Technical specifications

Placement between flange according to DIN EN 1092-1, PN 6-40

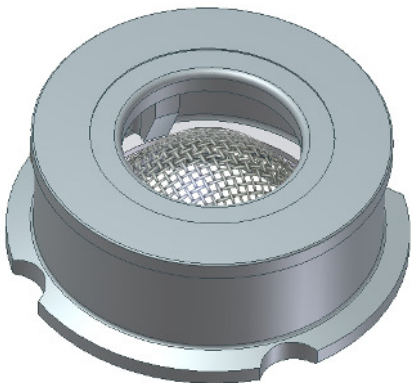
From DN 125 to 300 placement with sealing between flange according to DIN EN 1092-1, PN 10

Nominal pressure max. PN40

Overall lengths according to DIN EN 558-1, Gr. 49, from DN 250 on DIN EN 558-2 Gr. 52

Operational limits according to DIN EN 1092-1

Identification according to DIN EN 19



Utilisation

Can be used as filter or cleaning valve against dirty liquids in all kind of pipe lines

For liquids, gases and steams in all process technology.

Constructional Features

Centering integrated on the body

No deviation of flow

Special Types

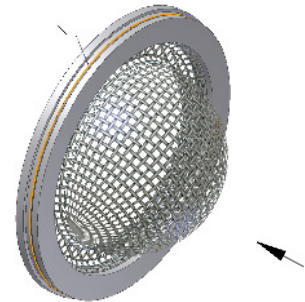
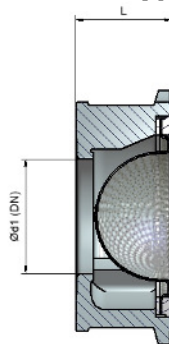
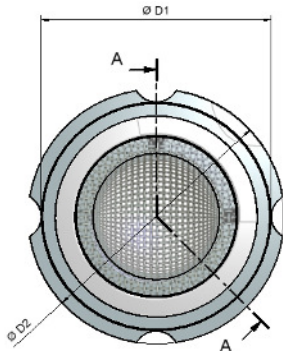
From DN 125 on placement between flange according to DIN EN 1092-1, PN16-40 und ANSI B16.5 CL. 150-300 lbs with centre ring according to the following page 2/2.

Fine filter and drain plug on request (see Pricelist).

Designation: CSF- 64 64 - 100
CSF- □□ - □□ □□□ → DN015 - 300

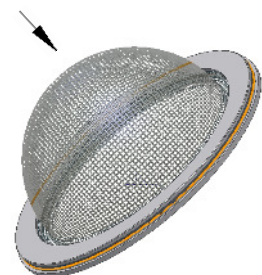
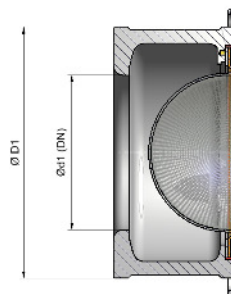
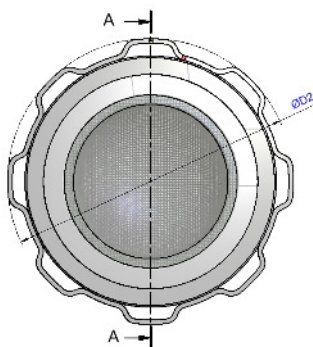
Body			Filter		
Material	Nr.	Code	Material	Nr.	Code
Steel DN015-200	1.0619	27	Austenite	1.4404	64
Steel DN250-300	E355	27			
Bronce ≤ DN100	2.1050	33			
Bronce ≥ DN125	2.1086	33			
Austenite ≤ DN200	1.4408	64			
Austenite ≥ DN250	1.4404	64			

Strainer Type CSF, DN015 - 100



DN (mm)	015	020	025	032	040	050	065	080	100
DN (zoll)	1/2"	3/4"	1"	1 1/4"	1 1/2"	2"	2 1/2"	3"	4"
L	16	19	22	28	31.5	40	46	50	60
Ø D1, PN6	43	53	63	75	86	96	116	133	154
Ø D2, PN10-40	50	60	70	81	91	105	126	148	164/170
Mesh width	0.85	0.85	0.85	0.85	1.4	1.4	1.4	1.4	1.4
Weight (Kg)	0.1	0.2	0.3	0.5	0.7	1.1	1.6	3.0	3.5
K_v-Value (m³/h)									
	6.7	14.3	30.4	47.4	92.5	140.5	230.1	309.8	465.7

Schmutzfänger Typ CSF, DN125 - 300



DN (mm)					125	150	200	250	300
DN (zoll)					5"	6"	8"	10"	12"
L					90	106	140	200	250
Ø D1, PN10					192	218	273	328	378
Ø D2, PN16					192	218	273	328	378
Ø D2, PN25					192	226	283	338	400
Ø D2, PN40					192	226	290	352	417
Ø D2, ANSI150					192	218	273	338	400
Ø D2, ANSI300					212	247	304	352	417
Mesh width					2	2	2	3	3
Weight (Kg)					9.0	11.0	19.0	39.0	65.0
K_v-Value (m³/h)									
					468.6	712.4	1160.2		

To reach the dimensions marked with blue fields please use a centring ring!